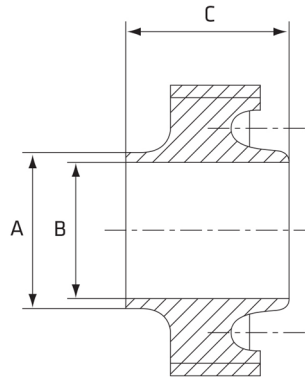


RJT Male Part

Features

- Butt welds to Outside Diameter tube sizes.
- 1/2" and 3/4" sizes require a flat seal.



Dimensions

Unit: mm (unless stated otherwise)

Size	1/2" 12.7	3/4" 19.05	1" 25.4	1 1/4" 31.8	1 1/2" 38.1	2" 50.8	2 1/2" 63.5
A	13.7	20	25.4	32.1	38.1	50.8	63.5
B	9.6	16	22.1	28.6	34.8	47.5	60
C	16.5	16.5	27	27	27	27	27
Code	RJTMP12	RJTMP20	RJTMP25	RJTMP30	RJTMP40	RJTMP50	RJTMP65

Size	3" 76.2	4" 101.6	5" 127	6" 152.4
A	76.4	101.8	127	152.4
B	73	97.6	123	147.7
C	27	27	27	24
Code	RJTMP75	RJTMP100	RJTMP125	RJTMP150

