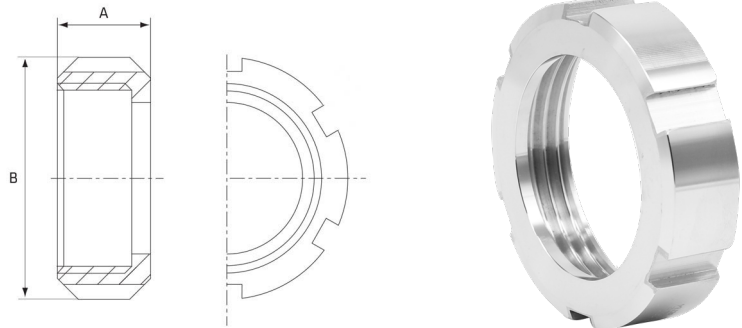


RJT Slotted Nut

Features

- C spanners available to suit nut sizes



Dimensions

Unit: mm (unless stated otherwise)

Size	1" 25.4	1 1/4" 31.8	1 1/2" 38.1	2" 50.8	2 1/2" 63.5	3" 76.2	4" 101.6
A	22.2	22.2	22.2	22.2	22.2	22.2	22.2
B	58.5	65	74	85.5	98.5	111.6	138
Code	RJTSN25	RJTSN30	RJTSN40	RJTSN50	RJTSN65	RJTSN75	RJTSN100

Size	5" 127	6" 152.4
A	24	24
B	165	197
Code	RJTSN125	RJTSN150

