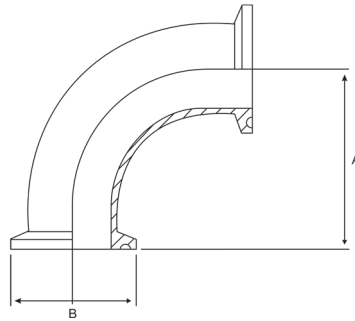


Tri Clover Bend 90°

Stainless Grade 304

Features

- 320 Grit - satin finish
- No need for welding! Save time and effort with pre-ferruled fittings



Dimensions

Unit: mm (unless stated otherwise)

Size	1" 25.4	1 1/2" 38.1	2" 50.8	2 1/2" 63.5	3" 76.2	4" 101.6
A	50.8	69.9	88.9	108	127	168.2
B	50.5	50.5	64	77.5	91	119
Code	STBFER42590	STBFER44090	STBFER45090	STBFER46590	STBFER47590	STBFER410090

