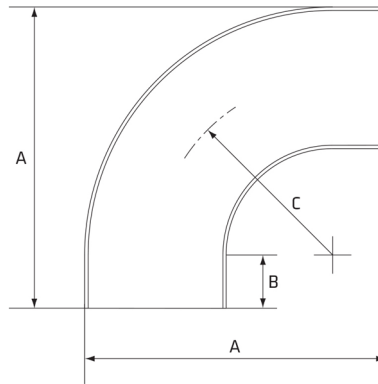


Short Tube Bend 90°

Stainless Grade 304 and 316

Features

- Short Bend
- 320 Grit - satin finish
- Standard AS: 1528.3
- Larger sizes available to suit Spiral Weld tube. Refer to Spiral Weld products



Dimensions

Unit: mm (unless stated otherwise)

Size	1" 25.4	1" 25.4	1 1/4" 31.8	1 1/4" 31.8	1 1/2" 38.1	1 1/2" 38.1	2" 50.8
A	50.8	50.8	76.2	76.2	76.2	76.2	101.6
B	0	0	12.7	12.7	0	0	0
C	38.1	38.1	47.6	47.6	57.2	57.2	76.2
Thickness	1.6	1.6	1.6	1.6	1.6	1.6	1.6
Code	STB42590S	STB62590S	STB43090S	STB63090S	STB44090S	STB64090S	STB45090S

Size	2" 50.8	2 1/2" 63.5	2 1/2" 63.5	3" 76.2	3" 76.2	4" 101.6	4" 101.6
A	101.6	127	127.1	152.4	152.4	203.2	203.2
B	0	0	30	0	0	0	0
C	76.2	95.3	95.3	114.3	114.3	152.4	152.4
Thickness	1.6	1.6	1.6	1.6	1.6	1.6	1.6
Code	STB65090S	STB46590S	STB66590S	STB47590S	STB67590S	STB410090S	STB610090S



TUBE FITTINGS

sales@themetalconpany.co.nz

Size	8" 203.2	8" 203.2
A	N/A	N/A
B	N/A	N/A
C	N/A	N/A
Thickness	2.0	2.0
Code	STB420090S	STB620090S

