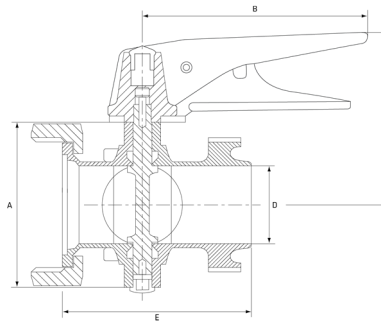


RJT Butterfly A Series Valve

Features

- RJT Male to RJT Female connection
- Maximum pressure 145PSI / 10Bar
- Maximum working temperature 180°C (with silicone seal)
- Multi-position trigger handle
- Parts are interchangeable with Keystone F250 valves



Dimensions

Unit: mm (unless stated otherwise)

Size	1 1/2" 38.1	2" 50.8	2 1/2" 63.5	3" 76.2	4" 101.6
A	79	94		124	151
B	154.2	154.2		185	190
C	88.5	101.1		112	125.5
D	34.9	47.6		73	97.6
E	96	96		106	117
Code	SBFVAMPWL40	SBFVAMPWL50	SBFVAMPWL65	SBFVAMPWL75	SBFVAMPWL100

