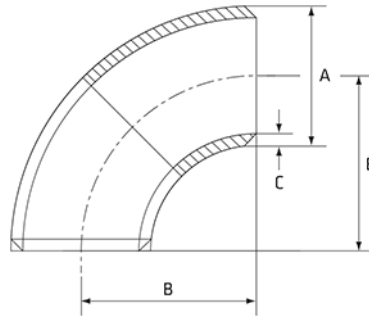


SCH10 Pipe Bend 90°

Features

- Schedule 10S
- Standard ASME B16.9



Dimensions

Unit: mm (unless stated otherwise)

Size	1/2" 15NB	3/4" 20NB	1" 25NB	1 1/4" 32NB	1 1/2" 40NB	2" 50NB	2 1/2" 65NB
A	21.3	26.7	33.4	42.2	48.3	60.3	73.03
B	38.1	38.1	38.1	47.6	57.2	76.2	95.3
C	2.11	2.11	2.77	2.77	2.77	2.77	3.05
Code	SPB1590S10L	SPB2090S10L	SPB2590S10L	SPB3290S10L	SPB4090S10L	SPB5090S10L	SPB6590S10L

Size	3" 80NB	4" 100NB	5" 125NB	6" 150NB	8" 200NB	10" 250NB	12" 300NB
A	88.9	114.3	141.3	168.3	219.1	273.1	
B	114.3	152.4	190.5	228.6	304.8	381	
C	3.05	3.05	3.4	3.4	3.76	4.19	4.57
Code	SPB8090S10L	SPB10090S10L	SPB12590S10L	SPB15090S10L	SPB20090S10L	SPB25090S10L	SPB30090S10L

Size	14" 350NB	16" 400NB
A		
B		
C		
Code	SPB35090S10L	SPB40090S10L

