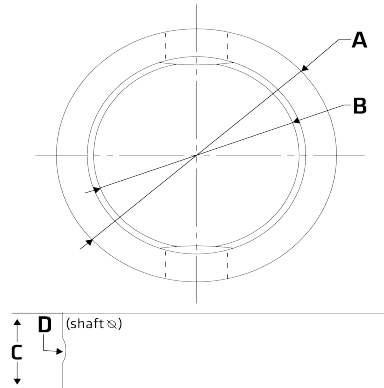


Butterfly E Series Valve Seal

Features

- Maximum temperature 120°C



Dimensions

Unit: mm (unless stated otherwise)

Size	1" 25.4	1 1/2" 38.1	2" 50.8	2 1/2" 63.5	3" 76.2	4" 101.6
A	36.5	50.0	66.5	76.0	90.0	120.0
B	23.0	36.5	51.0	59.0	71.5	99.5
C	19.5	21.0	22.5	25.0	28.0	29.0
D	9.5	9.5	12.0	12.0	12.5	13.5
Code	SBFVSE25	SBFVSE40	SBFVSE50	SBFVSE65	SBFVSE75	SBFVSE100

