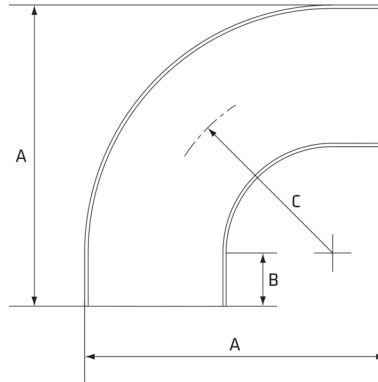


# Medium Tube Bend 90°

Stainless Grade 304 and 316

## Features

- From 1/2" - 6": Medium Bend (UNI), 320 Grit - satin finish, Standard AS: 1528.3
- From 8" - 16": Standard Bend, mill finish, sizes to suit Spiral Weld Tube



## Dimensions

Unit: mm (unless stated otherwise)

Size	1/2" 12.7	1/2" 12.7	5/8" 15.88	5/8" 15.88	3/4" 19.05	3/4" 19.05	1" 25.4
<b>A</b>	55.4	55.4	61.7	70	68.2	68.2	80.8
<b>B</b>	30	30	30	35	30	30	30
<b>C</b>	19.05	19.05	23.8	23.8	28.65	28.65	38.1
<b>Thickness</b>	1.6	1.6	1.6	1.6	1.6	1.6	1.6
<b>Code</b>	STB41290M	STB61290M	STB41690M	STB61690M	STB42090M	STB62090M	STB42590M

Size	1" 25.4	1 1/4" 31.8	1 1/4" 31.8	1 1/2" 38.1	1 1/2" 38.1	2" 50.8	2" 50.8
<b>A</b>	80.8	93.5	93.5	106.2	106.2	131.6	131.6
<b>B</b>	30	30	30	30	30	30	30
<b>C</b>	38.1	47.6	47.6	57.2	57.2	76.2	76.2
<b>Thickness</b>	1.6	1.6	1.6	1.6	1.6	1.6	1.6
<b>Code</b>	STB62590M	STB43090M	STB63090M	STB44090M	STB64090M	STB45090M	STB65090M

Size	2 1/2" 63.5	2 1/2" 63.5	3" 76.2	3" 76.2	4" 101.6	4" 101.6	5" 127
<b>A</b>	157.1	157.1	182.4	182.4	233.2	233.2	294
<b>B</b>	30	30	30	30	30	30	40
<b>C</b>	95.3	95.3	114.3	114.3	152.4	152.4	190.5
<b>Thickness</b>	1.6	1.6	1.6	1.6	1.6	1.6	1.6
<b>Code</b>	STB46590M	STB66590M	STB47590M	STB67590M	STB410090M	STB610090M	STB412590M



Size	6" 152.4	6" 152.4	8" 203.2 ID	8" 203.2 ID	10" 254 ID	10" 254 ID	12" 304.8 ID
<b>A</b>	344.8	344.8	408.6	207.2	510	511	612.4
<b>B</b>	40	40	0	408.6	0	0	0
<b>C</b>	228.6	228.6	305	203.2	254	254	304.6
<b>Thickness</b>	2	2	2	2	2	3	3
<b>Code</b>	STB415090M	STB615090M	SSWB420090	SSWB620090	SSWB425090	SSWB42509030	SSWB430090

