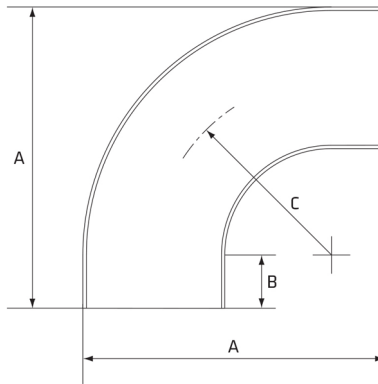


Long Tube Bend 90°

Stainless Grade 304 and 316

Features

- Long Bend (NZ)
- 320 Grit - satin finish
- Standard AS: 1528.3



Dimensions

Unit: mm (unless stated otherwise)

Size	1 1/4" 31.8	1 1/2" 38.1	1 1/2" 38.1	2" 50.8	2" 50.8	2 1/2" 63.5	2 1/2" 63.5
A	104.9	130.15	130.15	158.8	158.8	184.2	184.2
B	31.8	34.9	34.9	31.8	31.8	38.1	38.1
C	57.2	76.2	76.2	101.6	101.6	114.3	114.3
Thickness	1.6	1.6	1.6	1.6	1.6	1.6	1.6
Code	STB43090L	STB44090L	STB64090L	STB45090L	STB65090L	STB46590L	STB66590L

Size	3" 76.2	3" 76.2
A	215.9	215.9
B	38.1	38.1
C	139.7	139.7
Thickness	1.6	1.6
Code	STB47590L	STB67590L

