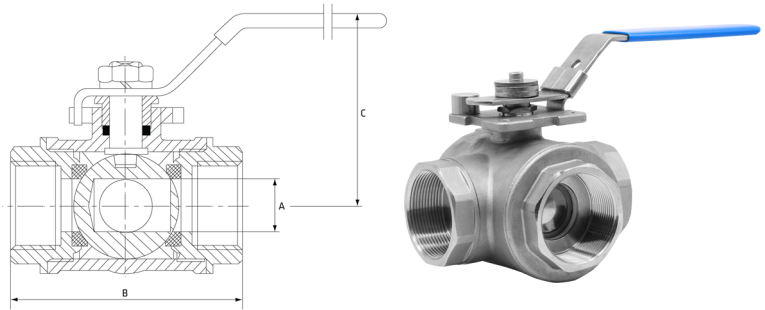


BSP T Port Ball Valve

Features

- BSP threaded ends
- Maximum pressure 1000PSI / 69Bar W.O.G. (Water, Oil, Gas)
- PTFE seal maximum temperature 250°C
- Lockable latch handle
- ISO5211 mounting pad
- Reduced port
- 3 way valves from 2 1/2" to 4" will differ from image shown



Dimensions

Unit: mm (unless stated otherwise)

Size	1/4"	3/8"	1/2"	3/4"	1"	1 1/4"	1 1/2"
	6.35	9.53	12.7	19.05	25.4	31.8	38.1
A	12.7	12.7	12.7	16	20	25	32
B	65	65	65	77	93	105	124
C	60	60	60	73	80	85	103
Code	SBVT08	SBVT10	SBVT15	SBVT20	SBVT25	SBVT32	SBVT40

Size	2"
	50.8
A	38
B	143
C	110
Code	SBVT50

