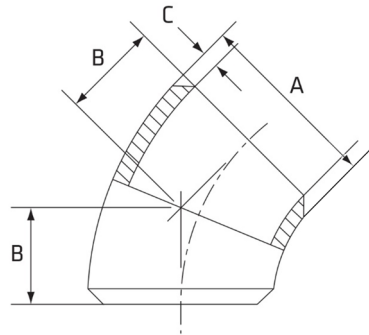


SCH40 Pipe Bend 45°

Features

- Schedule 40S
- Standard ASME B16.9



Dimensions

Unit: mm (unless stated otherwise)

Size	1/2" 15NB	3/4" 20NB	1" 25NB	1 1/4" 32NB	1 1/2" 40NB	2" 50NB	2 1/2" 65NB
A	21.3	26.7	33.4	42.2	48.3	60.3	73
B	15.9	11.1	22.2	25.4	28.6	34.9	44.5
C	2.77	2.87	3.38	3.56	3.68	3.91	5.16
Code	SPB1545S40	SPB2045S40	SPB2545S40	SPB3245S40	SPB4045S40	SPB5045S40	SPB6545S40

Size	3" 80NB	4" 100NB	5" 125NB	6" 150NB	8" 200NB
A	88.9	114.3	141.3	168.3	219.1
B	50.8	63.5	79.4	95.3	127
C	5.49	6.02	6.55	7.11	8.18
Code	SPB8045S40	SPB10045S40	SPB12545S40	SPB15045S40	SPB20045S40

