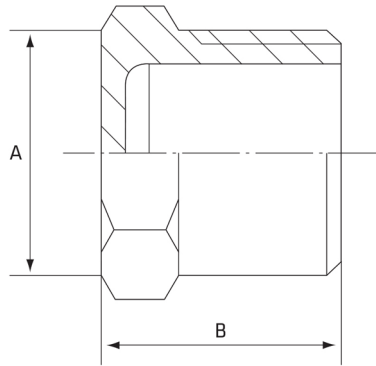


NPT Hex Plug

Features

- BSP Threaded Ends
- Working Pressure: 150lbs (psi) / 10bar
- Working Temperature: 250°C at 10bar
- Investment lost wax casting manufactured to ISO 9001 : 2015
- NPT thread conforms with ASME B1.20.1
- Threads are Tapered NPT
- Hollow Centre



Dimensions

Unit: mm (unless stated otherwise)

Size	1/8" 6NB	1/4" 8NB	3/8" 10NB	1/2" 15NB	3/4" 20NB	1" 25NB	1 1/4" 32NB
A	12.9	15.9	19.8	22.9	27.8	34	44.8
B	15.9	18	19.3	21	23.8	24	30.2
Code	NPTHP06	NPTHP08	NPTHP10	NPTHP15	NPTHP20	NPTHP25	NPTHP32

Size	1 1/2" 40NB	2" 50NB
A	49.8	61.5
B	31	32.5
Code	NPTHP40	NPTHP50

