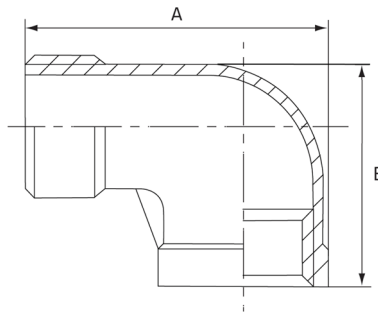


NPT Male-Female Elbow 90°

Features

- NPT Threaded Ends
- Working Pressure: 150lbs (psi) / 10bar
- Working Temperature: 250°C at 10bar
- Investment lost wax casting manufactured to ISO 9001 : 2015
- NPT thread conforms with ASME B1.20.1
- Threads are Tapered NPT
- Also Known As Street Elbow



Dimensions

Unit: mm (unless stated otherwise)

Size	1/8" 6NB	1/4" 8NB	3/8" 10NB	1/2" 15NB	3/4" 20NB	1" 25NB	1 1/4" 32NB
A	32.70	39.3	47	48.2	63.5	73.45	86.70
B	21.85	23.9	28.8	33.7	42.2	50.40	61.85
Code	NPTSE06	NPTSE08	NPTSE10	NPTSE15	NPTSE20	NPTSE25	NPTSE32

Size	1 1/2" 40NB	2" 50NB
A	95.8	116.1
B	66.6	82
Code	NPTSE40	NPTSE50

