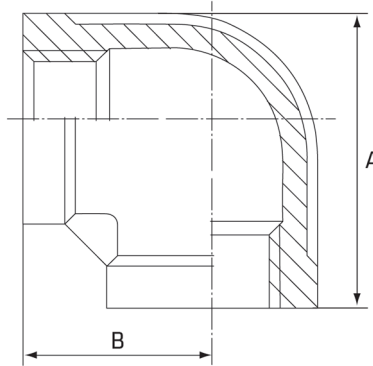


NPT Female Elbow 90°

Features

- NPT Threaded Ends
- Working Pressure: 150lbs (psi) / 10bar
- Working Temperature: 250°C at 10bar
- Investment lost wax casting manufactured to ISO 9001 : 2015
- NPT thread conforms with ASME B1.20.1
- Threads are Tapered NPT



Dimensions

Unit: mm (unless stated otherwise)

Size	1/8" 6NB	1/4" 8NB	3/8" 10NB	1/2" 15NB	3/4" 20NB	1" 25NB	1 1/4" 32NB
A	23.4	27.3	31.4	39.5	45.5	54	66
B	16.4	18.7	21.05	24	29.6	33	41
Code	NPTE06	NPTE08	NPTE10	NPTE15	NPTE20	NPTE25	NPTE32

Size	1 1/2" 40NB	2" 50NB
A	74.5	86.5
B	45.8	52
Code	NPTE40	NPTE50

