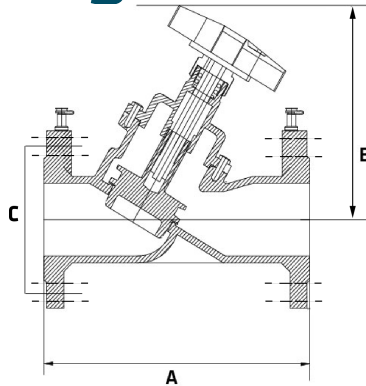


Isolating Regulating Valve PN16

Features

- Cast Iron Isolating Regulating Valve PN16 Pattern
- 2 Measurement Heads



Unit: mm (unless stated otherwise)

Dimensions

Size	1 1/4" DN32	1 1/2" DN40	2" DN50	2 1/2" DN65	3" DN80
A	200	200	245	270	290
C	100	110	125	145	160
Code	CIIRV32PN16	CIIRV40PN16	CIIRV50PN16	CIIRV65PN16	CIIRV80PN16

