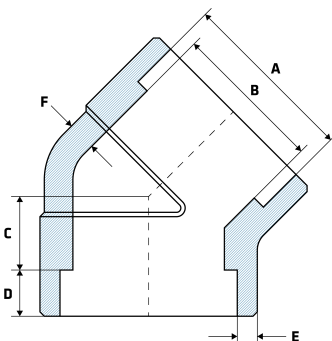


3000LB Socket Weld Elbow 45°

Features

- Socket Weld to Pipe
- 3000LB rated
- ASME B16.11, ASTM A182
- Any measurements that include a *, are indications that the measurement is a 'minimum measurement' as per their Manufacturing Standard.



Dimensions

Unit: mm (unless stated otherwise)

Size	1/2" 15NB	3/4" 20NB	1" 25NB	1 1/4" 32NB	1 1/2" 40NB	2" 50NB
A	21.8-22.2	27.2-27.6	33.9-34.3	42.7-43.1	48.8-49.2	61.2-61.7
B	15-16.6	20.2-21.7	25.9-27.4	34.3-35.8	40.1-41.6	51.7-53.3
C	11	13	14	17.5	20.5	25.5
D	9.5*	12.5*	12.5*	12.5*	12.5*	16*
E	4.67	4.9	5.69	6.07	6.35	6.93
F	3.73*	3.91*	4.55*	4.85*	5.08*	5.54*
Code	SESW3LB1545	SESW3LB2045	SESW3LB2545	SESW3LB3245	SESW3LB4045	SESW3LB5045

