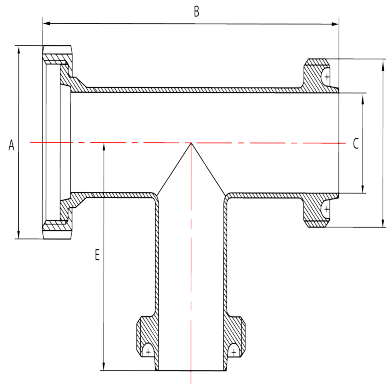


# RJT Equal Tee Hex Nut

Stainless Grade 316

## Features

- Equal Tee with RJT
- M/M/F Hex Nut
- 320 Grit - satin finish



Unit: mm (unless stated otherwise)

## Dimensions

Size	2" 50.8	2 1/2" 63.5	3" 76.2	4" 101.6
<b>A</b>	79.4	92	104.8	130
<b>B</b>	213.10	250.7	289.10	365.50
<b>C</b>	47.6	60	73	97.6
<b>D</b>	72.72	85.42	98.12	123.52
<b>E</b>	103.2	122	141.2	179.4
<b>Code</b>	STETMPWL50	STETMPWL65	STETMPWL75	STETMPWL100

