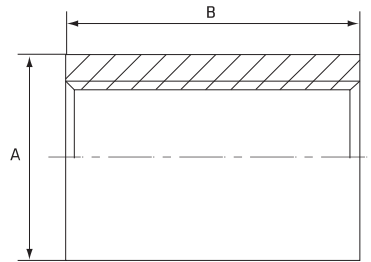


Socket

Stainless Grade 316

Features

- 150lbs Pressure Rating
- BSP threaded



Dimensions

Unit: mm (unless stated otherwise)

| Size | 3.18 1/8" | 6.35 1/4" | 9.53 3/8" | 12.7 1/2" | 19.05 3/4" | 25.4 1" | 31.8 1 1/4" | 38.1 1 1/2" | 50.8 2" | 63.5 2 1/2" | 76.2 3" | 101.6 4" |
|------|--------------|--------------|--------------|--------------|---------------|------------|----------------|----------------|------------|----------------|------------|-------------|
| A | 15 | 18 | 21 | 25 | 31.4 | 37 | 46.5 | 52.5 | 65.1 | 81.5 | 95 | 122 |
| B | 18 | 24.5 | 26 | 33 | 35 | 42 | 45 | 45 | 54.5 | 63.5 | 68.5 | 76.5 |
| Code | SS03 | SS06 | SS09 | SS12 | SS20 | SS25 | SS30 | SS40 | SS50 | SS65 | SS75 | SS100 |

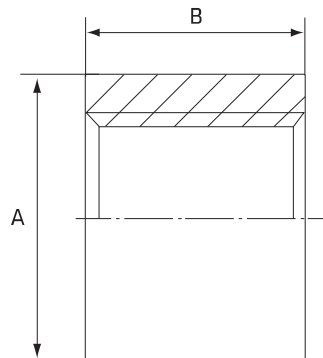
Half Socket

Stainless Grade 316

Features

- 150lbs Pressure Rating
- BSP threaded

"Ideal for tank applications"



Dimensions

Unit: mm (unless stated otherwise)

| Size | 3.18 1/8" | 6.35 1/4" | 9.53 3/8" | 12.7 1/2" | 19.05 3/4" | 25.4 1" | 31.8 1 1/4" | 38.1 1 1/2" | 50.8 2" | 63.5 2 1/2" | 76.2 3" | 101.6 4" |
|------|--------------|--------------|--------------|--------------|---------------|------------|----------------|----------------|------------|----------------|------------|-------------|
| A | 15 | 18 | 21 | 25 | 31.4 | 37 | 46.5 | 52.5 | 65.1 | 81.5 | 95 | 122 |
| B | 8.5 | 12 | 12.5 | 16 | 17.2 | 19.5 | 21.5 | 21.5 | 27.5 | 30.5 | 35.5 | 41.5 |
| Code | SHS03 | SHS06 | SHS09 | SHS12 | SHS20 | SHS25 | SHS30 | SHS40 | SHS50 | SHS65 | SHS75 | SHS100 |

