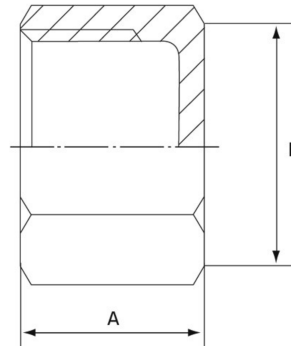


# Hex Cap

Stainless Grade 316

### Features

- 150lbs Pressure Rating
- BSP threaded



### Dimensions

Unit: mm (unless stated otherwise)

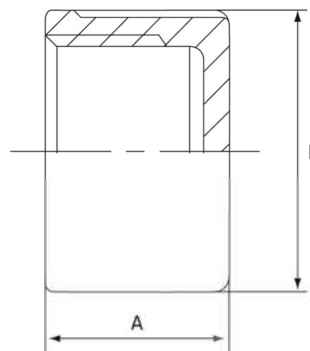
Size	3.18 1/8"	6.35 1/4"	9.53 3/8"	12.7 1/2"	19.05 3/4"	25.4 1"	31.8 1 1/4"	38.1 1 1/2"	50.8 2"	63.5 2 1/2"	76.2 3"	101.6 4"
A	15	18	20	18.5	19	22	25	25	30	34.5	38.5	45.5
B	14	16.5	20	25	30.5	37	45.5	52.5	64.5	80.5	94	120
Code	SHC03	SHC06	SHC09	SHC12	SHC20	SHC25	SHC30	SHC40	SHC50	SHC65	SHC75	SHC100

# Round Cap

Stainless Grade 316

### Features

- 150lbs Pressure Rating
- BSP threaded



### Dimensions

Unit: mm (unless stated otherwise)

Size	3.18 1/8"	6.35 1/4"	9.53 3/8"	12.7 1/2"	19.05 3/4"	25.4 1"	31.8 1 1/4"	38.1 1 1/2"	50.8 2"	63.5 2 1/2"	76.2 3"	101.6 4"
A	14	18	22	26	32.5	40	49.5	55.5	67	85	98	123
B	15	18	20	19.5	19.5	22.5	25.5	26.5	33.5	38	42.5	46.5
Code	SRC03	SRC06	SRC09	SRC12	SRC20	SRC25	SRC30	SRC40	SRC50	SRC65	SRC75	SRC100

