

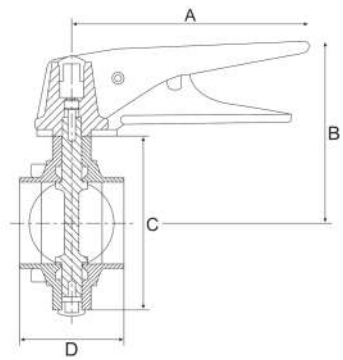
# Butterfly Valve A Series

Stainless Grade 316

## Features

- Butt welds to Outside Diameter tube sizes
- Maximum pressure 145PSI / 10Bar
- Maximum working temperature 180°C (with silicone seal)
- Multi-position trigger handle

*"Parts are interchangeable with Keystone F250 valves"*



## Dimensions

Unit: mm (unless stated otherwise)

Size	25.4 1"	38.1 1 1/2"	50.8 2"	63.5 2 1/2"	76.2 3"	101.6 4"	152.4 6"
A	154.2	154.2	154.2	154.2	185	190	266
B	83.5	88.5	101.1	101.1	112	125.5	183.5
C	69	79	94	104	124	151	223
D	50	50	50	50	60	70	80
Code	SBFVA25	SBFVA40	SBFVA50	SBFVA65	SBFVA75	SBFVA100	SBFVA150

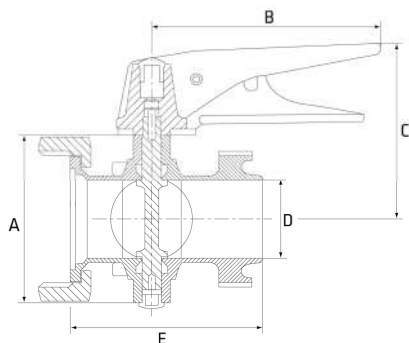
# RJT Butterfly Valve A Series

Stainless Grade 316

## Features

- RJT Male to RJT Female connection
- Maximum pressure 145PSI / 10Bar
- Maximum working temperature 180°C (with silicone seal)
- Multi-position trigger handle

*"Parts are interchangeable with Keystone F250 valves"*



## Dimensions

Unit: mm (unless stated otherwise)

Size	25.4 1"	38.1 1 1/2"	50.8 2"	63.5 2 1/2"	76.2 3"	101.6 4"
A	69	79	94	104	124	151
B	154.2	154.2	154.2	154.2	185	190
C	83.5	88.5	101.1	101.1	112	125.5
D	22.2	34.9	47.6	60	73	97.6
E	96	96	96	96	106	117
Code	SBFVAMPWL25	SBFVAMPWL40	SBFVAMPWL50	SBFVAMPWL65	SBFVAMPWL75	SBFVAMPWL100