

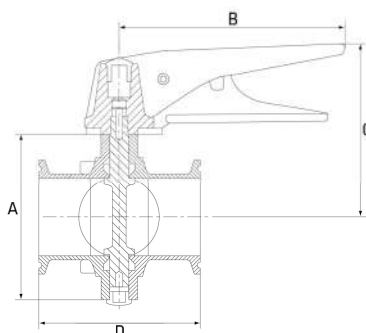
Tri Clover Butterfly Valve A Series

Stainless Grade 316

Features

- Tri Clover Ferrule connection
- Maximum pressure 145PSI / 10Bar
- Maximum working temperature 180°C (with silicone seal)
- Multi-position trigger handle

"Parts are interchangeable with Keystone F250 valves"



Dimensions

Unit: mm (unless stated otherwise)

Size	25.4 1"	38.1 1 1/2"	50.8 2"	63.5 2 1/2"	76.2 3"	101.6 4"
A	69	79	94	104	124	151
B	154.2	154.2	154.2	154.2	185	190
C	83.5	88.5	101.1	101.1	112	125.5
D	73.4	73.4	73.4	73.4	83.4	99.8
Code	SBFVAFER25	SBFVAFER40	SBFVAFER50	SBFVAFER65	SBFVAFER75	SBFVAFER100

Butterfly Valve A Series Accessories

Seal kit

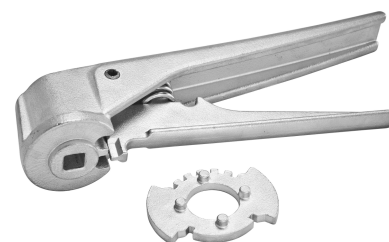
- Silicone
- Maximum temperature 180°C
- Kit includes 2x PTFE shaft bush/bearings



Size	25.4 1"	38.1 1 1/2"	50.8 2"	63.5 2 1/2"	76.2 3"	101.6 4"	152.4 6"
Code	SBFVSA25	SBFVSA40	SBFVSA50	SBFVSA65	SBFVSA75	SBFVSA100	SBFVSA150

Handle kit

- Stainless Grade 304
- Multi-position trigger handle



Size	25.4 - 63.5 1 - 2 1/2"	76.2 3"	101.6 4"	152.4 6"
Code	SBFVHA2565	SBFVHA75	SBFVHA100	SBFVHA150

Stocked Items Non-Stocked Items