

Mac Union

Stainless Grade 316

Features

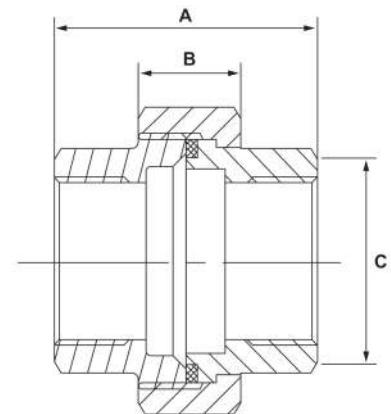
- 150lbs Pressure Rating
- BSP threaded ends
- Flat faced union

EPDM Seal - Standard:

- EPDM seal temperature rating 120°C
- EPDM is suitable for hot water, steam, alcohols or coolants
- Not resistant to mineral oils, greases or fuels

Teflon (PTFE) Seal also available:

- Teflon seal temperature rating 250°C
- Teflon is suitable for chemical resistance



“Seal included but can be purchased separately”



Dimensions

Unit: mm (unless stated otherwise)

Size	3.18 1/8"	6.35 1/4"	9.53 3/8"	12.7 1/2"	19.05 3/4"	25.4 1"	31.8 1 1/4"	38.1 1 1/2"	50.8 2"	63.5 2 1/2"	76.2 3"	101.6 4"
A	30	33.5	36.5	39.5	42.5	50	54	58	65	75	83	110
B	13	13.5	15	16	17	20	22	24	27	29.5	31	34
C	13.5	17	20.5	24.5	31	38	47	52.5	66	82	95.5	121.5
Union	SMU03	SMU06	SMU09	SMU12	SMU20	SMU25	SMU30	SMU40	SMU50	SMU65	SMU75	SMU100
EPDM Seal	SMUS03	SMUS06	SMUS09	SMUS12	SMUS20	SMUS25	SMUS30	SMUS40	SMUS50	SMUS65	SMUS75	SMUS100
Teflon Seal	SMUST03	SMUST06	SMUST09	SMUST12	SMUST20	SMUST25	SMUST30	SMUST40	SMUST50	SMUST65	SMUST75	SMUST100