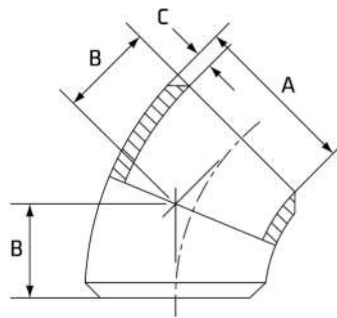


# Pipe Bend 45°

Stainless Grade 316

## Features

- Standard ASME B16.9



Unit: mm (unless stated otherwise)

## Dimensions (Schedule 10S)

Size	15NB 1/2"	20NB 3/4"	25NB 1"	32NB 1 1/4"	40NB 1 1/2"
A	21.3	26.7	33.4	42.2	48.3
B	15.9	19	22.2	25.4	28.6
C	2.11	2.11	2.77	2.77	2.77
Code	SPB61545S10	SPB62045S10	SPB62545S10	SPB63245S10	SPB64045S10

Size	50NB 2"	65NB 2 1/2"	80NB 3"	90NB 3 1/2"	100NB 4"
A	60.3	73	88.9	101.6	114.3
B	34.9	44.5	50.8	57	63.05
C	2.77	3.05	3.05	3.05	3.05
Code	SPB65045S10	SPB66545S10	SPB68045S10	SPB69045S10	SPB610045S10

Size	125NB 5"	150NB 6"	200NB 8"	250NB 10"	300NB 12"
A	141.3	168.3	219.1	273	323.9
B	79.4	95.3	127	159	190.5
C	3.4	3.4	3.76	4.19	4.57
Code	SPB612545S10	SPB615045S10	SPB620045S10	SPB625045S10	SPB630045S10

## Dimensions (Schedule 40S)

Unit: mm (unless stated otherwise)

Size	15NB 1/2"	20NB 3/4"	25NB 1"	32NB 1 1/4"	40NB 1 1/2"
A	21.3	26.7	33.4	42.2	48.3
B	15.9	11.1	22.2	25.4	28.6
C	2.77	2.87	3.38	3.56	3.68
Code	SPB61545S40	SPB62045S40	SPB62545S40	SPB63245S40	SPB64045S40

Size	50NB 2"	65NB 2 1/2"	80NB 3"	90NB 3 1/2"	100NB 4"
A	60.3	73	88.9	101.6	114.3
B	34.9	44.5	50.8	57	63.5
C	3.91	5.16	5.49	5.74	6.02
Code	SPB65045S40	SPB66545S40	SPB68045S40	SPB69045S40	SPB610045S40

Size	125NB 5"	150NB 6"	200NB 8"	250NB 10"	300NB 12"
A	141.3	168.3	219.1	273	323.8
B	79.4	95.3	127	159	190.5
C	6.55	7.11	8.18	9.27	9.53
Code	SPB612545S40	SPB615045S40	SPB620045S40	SPB625045S40	SPB630045S40

Stocked Items    Non-Stocked Items