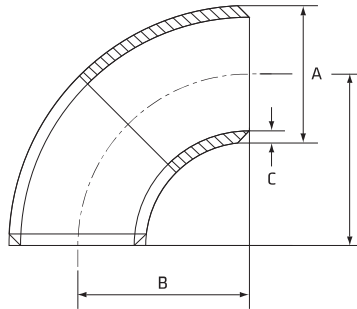


# Pipe Bend 90°

Stainless Grade 316

## Features

- Standard ASME B16.9



Unit: mm (unless stated otherwise)

## Dimensions (Schedule 10S)

| Size | 15NB<br>1/2" | 20NB<br>3/4" | 25NB<br>1"  | 32NB<br>1 1/4" | 40NB<br>1 1/2" |
|------|--------------|--------------|-------------|----------------|----------------|
| A    | 21.3         | 26.7         | 33.4        | 42.2           | 48.3           |
| B    | 38.1         | 38.1         | 38.1        | 47.6           | 57.2           |
| C    | 2.11         | 2.11         | 2.77        | 2.77           | 2.77           |
| Code | SPB61590S10  | SPB62090S10  | SPB62590S10 | SPB63290S10    | SPB64090S10    |

| Size | 50NB<br>2"  | 65NB<br>2 1/2" | 80NB<br>3"  | 90NB<br>3 1/2" | 100NB<br>4"  |
|------|-------------|----------------|-------------|----------------|--------------|
| A    | 60.3        | 73.03          | 88.9        | 101.6          | 114.3        |
| B    | 76.2        | 95.3           | 114.3       | 133.4          | 152.4        |
| C    | 2.77        | 3.05           | 3.05        | 3.05           | 3.05         |
| Code | SPB65090S10 | SPB66590S10    | SPB68090S10 | SPB69090S10    | SPB610090S10 |

| Size | 125NB<br>5"  | 150NB<br>6"  | 200NB<br>8"  | 250NB<br>10" | 300NB<br>12" |
|------|--------------|--------------|--------------|--------------|--------------|
| A    | 141.3        | 168.3        | 219.1        | 273          | 323.8        |
| B    | 190.5        | 228.6        | 304.8        | 381          | 457.2        |
| C    | 3.4          | 3.4          | 3.76         | 4.19         | 4.57         |
| Code | SPB612590S10 | SPB615090S10 | SPB620090S10 | SPB625090S10 | SPB630090S10 |

## Dimensions (Schedule 40S)

Unit: mm (unless stated otherwise)

| Size | 15NB<br>1/2" | 20NB<br>3/4" | 25NB<br>1"  | 32NB<br>1 1/4" | 40NB<br>1 1/2" |
|------|--------------|--------------|-------------|----------------|----------------|
| A    | 21.3         | 26.7         | 33.4        | 42.2           | 48.3           |
| B    | 38.1         | 38.1         | 38.1        | 47.6           | 57.2           |
| C    | 2.77         | 2.87         | 3.38        | 3.56           | 3.68           |
| Code | SPB61590S40  | SPB62090S40  | SPB62590S40 | SPB63290S40    | SPB64090S40    |

| Size | 50NB<br>2"  | 65NB<br>2 1/2" | 80NB<br>3"  | 90NB<br>3 1/2" | 100NB<br>4"  |
|------|-------------|----------------|-------------|----------------|--------------|
| A    | 60.3        | 73.03          | 88.9        | 101.6          | 114.3        |
| B    | 76.2        | 95.3           | 114.3       | 133.4          | 152.4        |
| C    | 3.91        | 5.16           | 5.49        | 5.74           | 6.02         |
| Code | SPB65090S40 | SPB66590S40    | SPB68090S40 | SPB69090S40    | SPB610090S40 |

| Size | 125NB<br>5"  | 150NB<br>6"  | 200NB<br>8"  | 250NB<br>10" | 300NB<br>12" |
|------|--------------|--------------|--------------|--------------|--------------|
| A    | 141.3        | 168.3        | 219.1        | 273          | 323.8        |
| B    | 190.5        | 228.6        | 304.8        | 381          | 457.2        |
| C    | 6.55         | 7.11         | 8.18         | 9.27         | 9.53         |
| Code | SPB612590S40 | SPB615090S40 | SPB620090S40 | SPB625090S40 | SPB630090S40 |

