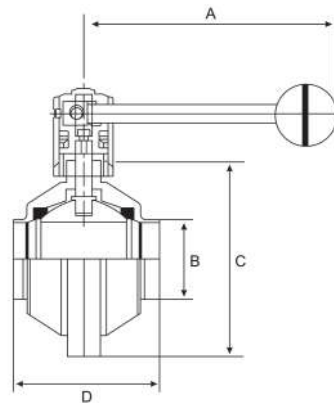


Sanitary Ball Valve

Stainless Grade 316

Features

- Butt welds to Outside Diameter tube sizes
- Multi-position handles
- Maximum working temperature 120°C (with EPDM seal)



Dimensions

Unit: mm (unless stated otherwise)

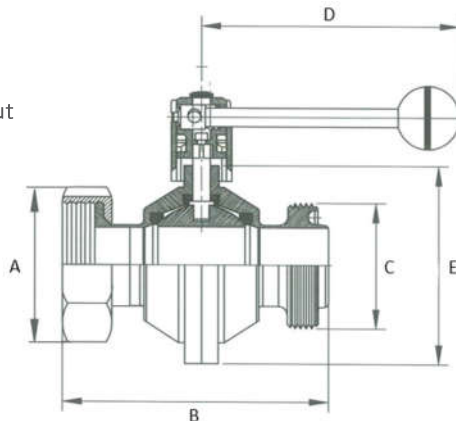
Size	25.4 1"	31.8 1 1/4"	38.1 1 1/2"	50.8 2"	63.5 2 1/2"	76.2 3"	101.6 4"
A	143	143	143	143	143	186	215
B	25.4	31.8	38.1	50.8	63.5	76.2	101.6
C	90	98	110	125	152	170	212
D	85	85	100	110	125	135	170
Code (Valve)	SSBV25	SSBV30	SSBV40	SSBV50	SSBV65	SSBV75	SSBV100
Code (Seal)	SSBVS25	SSBVS30	SSBVS40	SSBVS50	SSBVS65	SSBVS75	SSBVS100

RJT Sanitary Ball Valve

Stainless Grade 316

Features

- RJT Male - Female connection with hex nut
- Multi-position handle
- Maximum working temperature 120°C (with EPDM seal)



Dimensions

Unit: mm (unless stated otherwise)

Size	25.4 1"	38.1 1 1/2"	50.8 2"	63.5 2 1/2"	76.2 3"	101.6 4"
A	50.8	65	79.4	92.1	104.8	130
B	130.8	145.8	155.8	170.8	180.8	215.8
C	45.7	58.4	72.7	85.4	98.1	123.5
D	143	143	143	143	186	215
E	90	110	125	152	170	212
Code (Valve)	SSBVMPWL25	SSBVMPWL40	SSBVMPWL50	SSBVMPWL65	SSBVMPWL75	SSBVMPWL100
Code (Seal)	SSBVS25	SSBVS40	SSBVS50	SSBVS65	SSBVS75	SSBVS100

