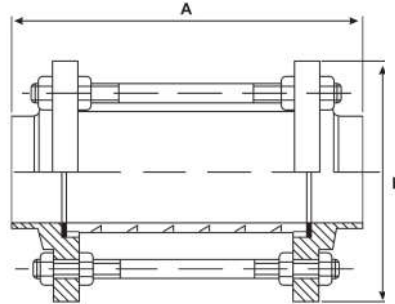


# Sight Glass

Stainless Grade 316

## Features

- Butt welds to Outside Diameter tube sizes
- PTFE seal maximum temperature 200°C
- Comes standard with polycarbonate viewing tube
- Polycarbonate tube pressure rating 500PSI / 34Bar
- Borosilicate viewing tube available separately



## Dimensions

Unit: mm (unless stated otherwise)

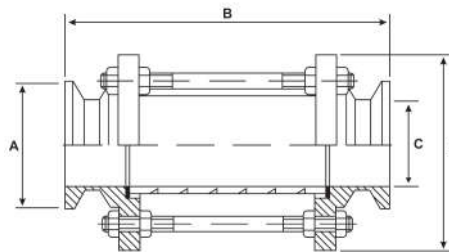
Size	25.4 1"	31.8 1 1/4"	38.1 1 1/2"	50.8 2"	63.5 2 1/2"	76.2 3"	101.6 4"
A	132	132	132	140	140	140	149
B	78	78	86	100	115	128	159
Code	SPSG25	SPSG30	SPSG40	SPSG50	SPSG65	SPSG75	SPSG100

# Tri Clover Sight Glass

Stainless Grade 316

## Features

- Tri Clover ferrule connections
- PTFE seal maximum temperature 200°C
- Comes standard with polycarbonate viewing tube
- Polycarbonate tube pressure rating 500PSI / 34Bar
- Borosilicate viewing tube available separately



## Dimensions

Unit: mm (unless stated otherwise)

Size	25.4 1"	31.8 1 1/4"	38.1 1 1/2"	50.8 2"	63.5 2 1/2"	76.2 3"	101.6 4"
A	50.5	50.5	50.5	64	77.5	91	119
B	153	155	159	159	159	162	165
C	22.1	28.5	34.8	47.5	60.2	72.9	97.4
D	78	78	86	100	115	128	159
Code	SPSGFER25	SPSGFER30	SPSGFER40	SPSGFER50	SPSGFER65	SPSGFER75	SPSGFER100

