

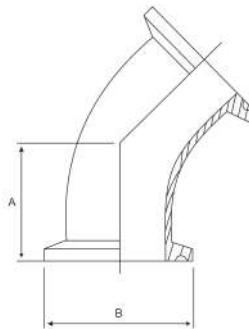
Tri Clover Bend 45°

Stainless Grade 304 and 316

Features

- 320 grit - satin finish

*"No need for welding!
Save time and effort
with pre-ferruled fittings"*



Dimensions

Unit: mm (unless stated otherwise)

Size	25.4 1"	38.1 1 1/2"	50.8 2"	63.5 2 1/2"	76.2 3"	101.6 4"
A	28.5	36.5	44.5	52.3	60.3	76.2
B	50.5	50.5	64	77.5	91	119
Code (304)	STBFER42545	STBFER44045	STBFER45045	STBFER46545	STBFER47545	STBFER410045
Code (316)	STBFER62545	STBFER64045	STBFER65045	STBFER66545	STBFER67545	STBFER610045

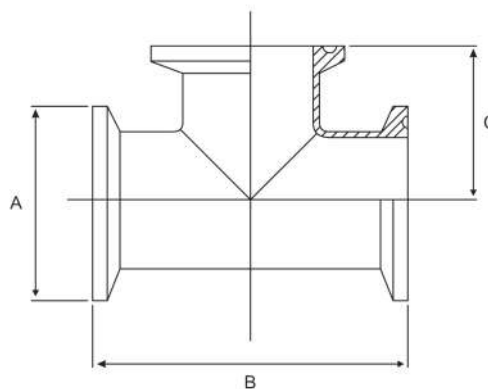
Tri Clover Tee

Stainless Grade 304 and 316

Features

- 320 grit - satin finish

*"No need for welding!
Save time and effort
with pre-ferruled fittings"*



Dimensions

Unit: mm (unless stated otherwise)

Size	25.4 1"	38.1 1 1/2"	50.8 2"	63.5 2 1/2"	76.2 3"	101.6 4"
A	50.5	50.5	64	77.5	91	119
B	101.6	139.8	177.8	215.4	253.6	336.6
C	50.8	69.9	88.9	107.7	126.9	168.2
Code (304)	STETFER425	STETFER440	STETFER450	STETFER465	STETFER475	STETFER4100
Code (316)	STETFER625	STETFER640	STETFER650	STETFER665	STETFER675	STETFER6100

Stocked Items

Non-Stocked Items