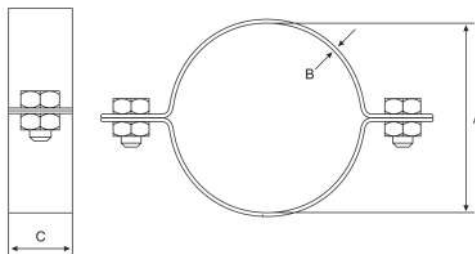


# Plain Tube Saddle

Stainless Grade 304

## Features

- Includes stainless fasteners (metric)



## Dimensions

Unit: mm (unless stated otherwise)

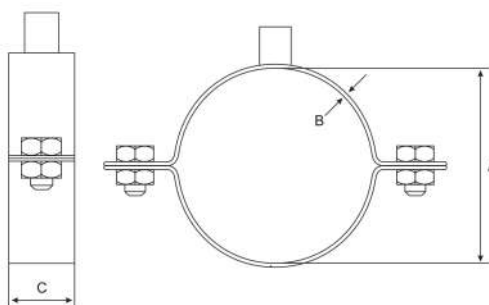
Size	203.2 ID 8"	254 ID 10"	304.8 ID 12"
A	203.2	254	304.8
B	5	5	5
C	40	40	40
Code	SPTS200	SPTS250	SPTS300

# Bossed Tube Saddle

Stainless Grade 304

## Features

- Includes stainless fasteners (metric)



## Dimensions

Unit: mm (unless stated otherwise)

Size	203.2 ID 8"
A	203.2
B	5
C	40
Code	SBTS200

Stocked Items

Non-Stocked Items