

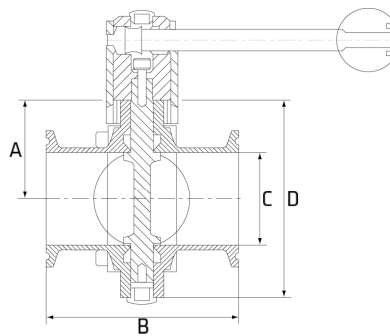
Tri Clover Butterfly Valve E Series

Stainless Grade 316

Features

- Tri Clover Ferrule connections
- Maximum pressure 145PSI / 10Bar
- Maximum working temperature 120°C (with EPDM seal)
- Multi-position handle

“Stainless steel trigger handle available”



Dimensions

Unit: mm (unless stated otherwise)

Size	25.4 1"	38.1 1 1/2"	50.8 2"	63.5 2 1/2"	76.2 3"	101.6 4"
A	39	40	50	58.5	64.5	80
B	66	66	72	76	76	90
C	22.1	34.8	47.5	60.2	72.9	97.3
D	78	80	100	117	129	160
Code	SBFVEFER25	SBFVEFER40	SBFVEFER50	SBFVEFER65	SBFVEFER75	SBFVEFER100

Butterfly Valve E Series Accessories

Seal

- EPDM
- Maximum temperature 120°C



Size	12.7 1/2"	19.05 3/4"	25.4 1"	38.1 1 1/2"	50.8 2"	63.5 2 1/2"	76.2 3"	101.6 4"
Code	SBFVSE12	SBFVSE20	SBFVSE25	SBFVSE40	SBFVSE50	SBFVSE65	SBFVSE75	SBFVSE100

Handle Kit

- Stainless Grade 304
- Multi-position trigger handle



Size	25,4 - 38,1 1 - 1 1/2"	50,8 - 101,6 2 - 4"
Code	SBFVHE2540	SBFVHE50100

Stocked Items Non-Stocked Items