

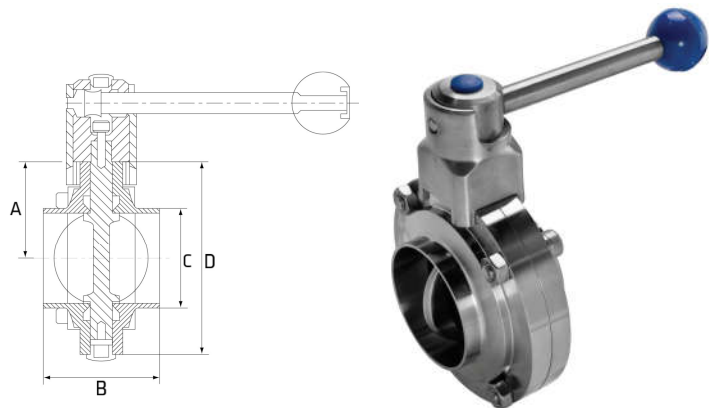
# Butterfly Valve E Series

Stainless Grade 316

## Features

- Butt welds sanitary connection
- Maximum pressure 145PSI / 10Bar
- Maximum working temperature 120°C (with EPDM seal)
- Welds to Outside Diameter of stainless steel tube
- Multi-position handle

*"Stainless steel trigger handle available"*



## Dimensions

Unit: mm (unless stated otherwise)

Size	12,7 1/2"	19,05 3/4"	25,4 1"	38,1 1 1/2"	50,8 2"	63,5 2 1/2"	76,2 3"	101,6 4"	152,4 6"
A	39	39	39	40	50	58,5	64,5	80	107,5
B	50	50	50	50	52	56	58	64	90
C	12,7	19,1	25,4	38,1	50,8	63,5	76,2	101,6	152,4
D	78	78	78	80	100	117	129	160	225
Code	SBFVE12	SBFVE20	SBFVE25	SBFVE40	SBFVE50	SBFVE65	SBFVE75	SBFVE100	SBFVE150

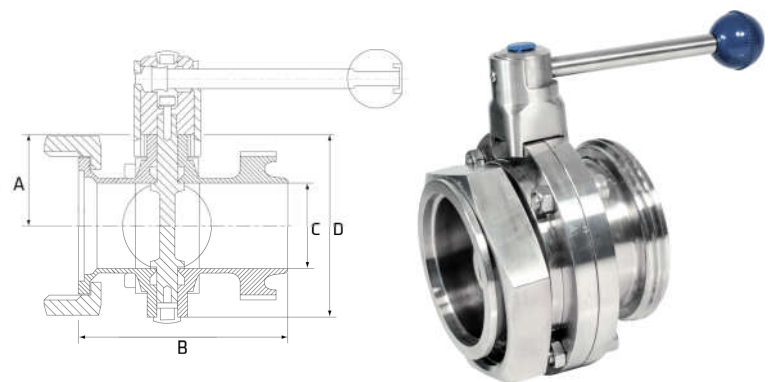
# RJT Butterfly Valve E Series

Stainless Grade 316

## Features

- RJT Male to RJT Female connection
- Maximum pressure 145PSI / 10Bar
- Maximum working temperature 120°C (with EPDM seal)
- Multi-position handle

*"Stainless steel trigger handle available"*



## Dimensions

Unit: mm (unless stated otherwise)

Size	25,4 1"	38,1 1 1/2"	50,8 2"	63,5 2 1/2"	76,2 3"	101,6 4"
A	39	40	50	58,5	64,5	80
B	95,8	95,8	97,8	101,8	103,8	109,8
C	22,2	34,9	47,6	60	73	97,6
D	78	80	100	117	129	160
Code	SBFVEMPWL25	SBFVEMPWL40	SBFVEMPWL50	SBFVEMPWL65	SBFVEMPWL75	SBFVEMPWL100