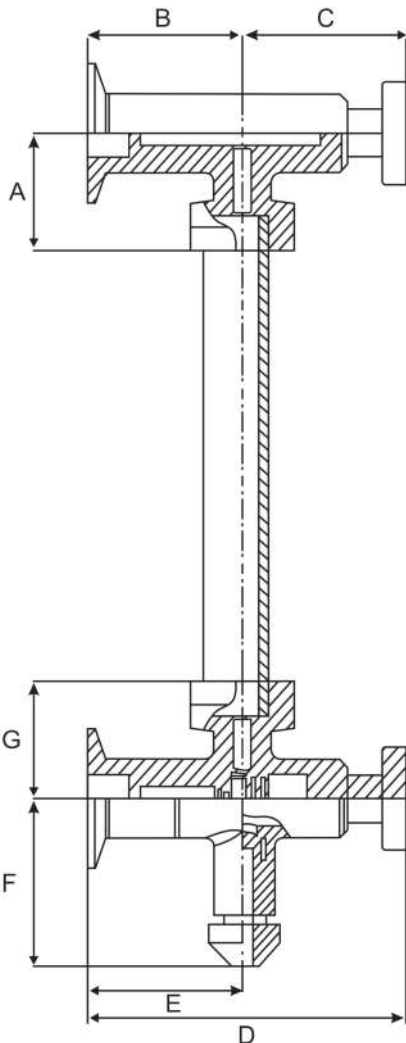


Liquid Level Gauge

Stainless Steel 316

Features

- Tri Clover ends 25.4-38.1mm
- Silicone seal maximum temperature rating 180°C
- Stainless steel retaining nuts
- Maximum pressure rating 145PSI / 10Bar
- Used with 19.05mm polycarbonate or borosilicate glass tube



Dimensions (Upper)

Unit: mm (unless stated otherwise)

Size	19.05 3/4"
A	55
B	48
C	55.5
D	110
Code	SLLGT20

Dimensions (Lower)

Unit: mm (unless stated otherwise)

Size	19.05 3/4"
E	48
F	59
G	45.5
Code	SLLGB20

Stocked Items Non-Stocked Items