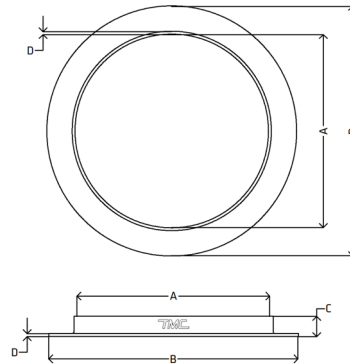


Spiral Weld Neck Ring

EN1092-1 Type 33

Features

- To suit Spiral Weld (ID) Tube in conjunction with a Backing Ring
- Pressed from Sheet



Unit: mm (unless stated otherwise)

Dimensions

Size	8" 203.2 ID	10" 254.0 ID	12" 304.8 ID
A	201.2	254.0	302.8
B	260.0	330.0	375.0
C	21.0	20.0	20.0
D	3.0	3.0	3.0
Thickness	3.0	3.0	3.0
Code	SSWNR200	SSWNR250	SSWNR300

