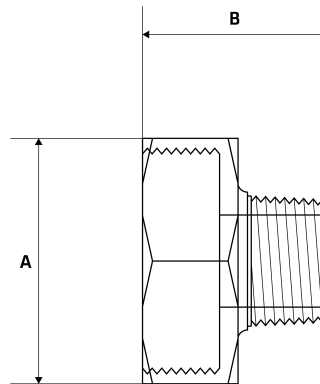


# BSP Negative Bush

## Features

- BSP Threaded Ends
- Working Pressure: 150lbs (psi) / 10bar
- Working Temperature: 250°C at 10bar
- Investment lost wax casting manufactured to ISO 9001 : 2015
- BSP thread conforms with ISO 7-1/ISO 228-1
- Male Threads are Tapered (BSPT), Female Threads are Parallel (BSPP)
- Mill Test Certificates (EN10201 Type 2.2) available with all sizes



## Dimensions

Unit: mm (unless stated otherwise)

Size	1/4"x1/8" 8NBx6NB	3/8"x1/8" 10NBx6NB	3/8"x1/4" 10NBx8NB	1/2"x1/8" 15NBx6NB	1/2"x1/4" 15NBx8NB	1/2"x3/8" 15NBx10NB	3/4"x1/4" 20NBx8NB
A	16.5	22	20.5	24	21.5	25.5	30
B	26	29	27.5	30	20	32.5	30
Code	SNB0806	SNB1006	SNB1008	SNB1506	SNB1508	SNB1510	SNB2008
Size	3/4"x3/8" 20NBx10NB	3/4"x1/2" 20NBx15NB	1"x1/2" 25NBx15NB	1"x3/4" 25NBx20NB	1 1/4"x3/4" 32NBx20NB	1 1/4"x1" 32NBx25NB	1 1/2"x3/4" 40NBx20NB
A	30	36	36	38	46	47.5	55
B	37	34	38	38	40	48	50
Code	SNB2010	SNB2015	SNB2515	SNB2520	SNB3220	SNB3225	SNB4020
Size	1 1/2"x1" 40NBx25NB	1 1/2"x1 1/4" 40NBx32NB	2"x1" 50NBx25NB	2"x1 1/4" 50NBx32NB	2"x1 1/2" 50NBx40NB	2 1/2"x2" 65NBx50NB	3"x2" 80NBx50NB
A	55	52.5	65	65.5	65.5	80.9	94
B	45	45	49	52.5	54.5	54	57.5
Code	SNB4025	SNB4032	SNB5025	SNB5032	SNB5040	SNB6550	SNB8050



<b>Size</b>	3"x2 1/2" 80NBx65NB
<b>A</b>	94
<b>B</b>	61
<b>Code</b>	SNB8065

