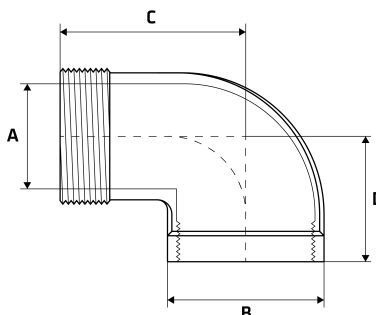


BSP Male-Female Elbow 90°

Features

- Also known as a 'Street Elbow'
- Female BSP (parallel) to Male BSP (tapered), which conform with ISO 7-1/ISO 228-1
- Investment lost wax casting manufactured to ISO 9001
- Working Pressure: 10.3 bar (150.0 PSI)
- Working Temperature: 250°C at 10.3 bar (150.0 PSI)
- Bursting Pressure: Unavailable
- Mill Test Certifications available for all sizes (EN 10201 Type 2.2)



Dimensions

Unit: mm (unless stated otherwise)

Size	1/8" 6NB	1/4" 8NB	3/8" 10NB	1/2" 15NB	3/4" 20NB	1" 25NB	1 1/4" 32NB
A	6.3	6.3	9.3	13	17.5	24.2	31
B	14	17.3	20.8	26.4	32.3	39.5	49
C	30.7	28	36.6	35.5	41	53.7	55
D	16.4	19	21.7	22	27.5	35	37.9
Code	SSE06	SSE08	SSE10	SSE15	SSE20	SSE25	SSE32

Size	1 1/2" 40NB	2" 50NB	2 1/2" 65NB	3" 80NB	4" 100NB
A	36.1	46.4	63.7	76.9	100
B	55.4	67.9	90	98	127
C	59	73	93	102	127
D	41	51.5	64	74	87.5
Code	SSE40	SSE50	SSE65	SSE80	SSE100

