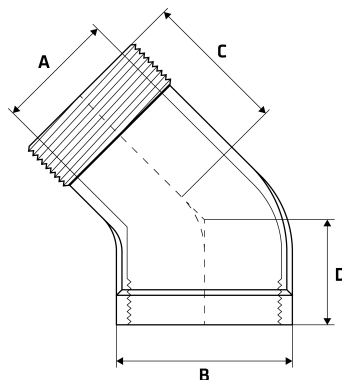


# BSP Male-Female Elbow 45°

## Features

- Also known as a 'Street Elbow'
- Female BSP (parallel) to Male BSP (tapered), which conform with ISO 7-1/ISO 228-1
- Investment lost wax casting manufactured to ISO 9001
- Working Pressure: 10.3 bar (150.0 PSI)
- Working Temperature: 250°C at 10.3 bar (150.0 PSI)
- Bursting Pressure: Unavailable
- Mill Test Certifications available for all sizes (EN 10201 Type 2.2)



## Dimensions

Unit: mm (unless stated otherwise)

| Size        | 1/8"<br>6NB | 1/4"<br>8NB | 3/8"<br>10NB | 1/2"<br>15NB | 3/4"<br>20NB | 1"<br>25NB | 1 1/4"<br>32NB |
|-------------|-------------|-------------|--------------|--------------|--------------|------------|----------------|
| <b>A</b>    | 4           | 6.4         | 9            | 13           | 18           | 24         | 30.5           |
| <b>B</b>    | 13          | 16          | 19           | 26.5         | 32.3         | 40         | 49.3           |
| <b>C</b>    | 15.5        | 16.5        | 18.5         | 20           | 22.5         | 26.5       | 28             |
| <b>D</b>    | 15          | 16          | 18           | 18.5         | 23.5         | 27         | 31             |
| <b>Code</b> | SSE0645     | SSE0845     | SSE1045      | SSE1545      | SSE2045      | SSE2545    | SSE3245        |

| Size        | 1 1/2"<br>40NB | 2"<br>50NB |
|-------------|----------------|------------|
| <b>A</b>    | 35.8           | 46.4       |
| <b>B</b>    | 56             | 68.3       |
| <b>C</b>    | 52             | 31         |
| <b>D</b>    | 29             | 37.5       |
| <b>Code</b> | SSE4045        | SSE5045    |

