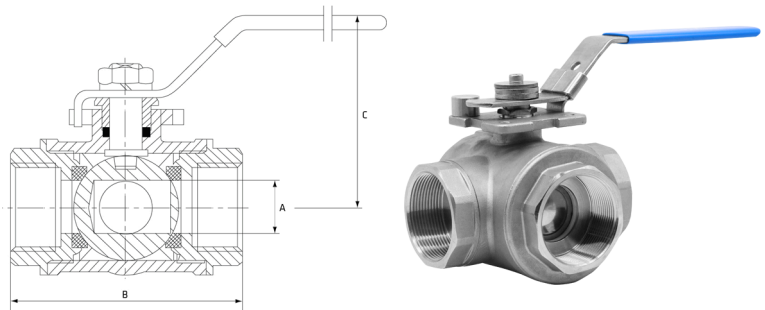


BSP 'L' Port Ball Valve

Features

- BSP threaded ends
- Maximum pressure 1000PSI / 69Bar W.O.G. (Water, Oil, Gas)
- PTFE seal maximum temperature 250°C
- Lockable latch handle
- ISO5211 mounting pad - These do not fit to actuators but can be used for mounting to wall or panels
- Reduced port
- 3 way valves from 2 1/2" to 4" will differ from image shown



Dimensions

Unit: mm (unless stated otherwise)

Size	1/4" 8NB	3/8" 10NB	1/2" 15NB	3/4" 20NB	1" 25NB	1 1/4" 32NB	1 1/2" 40NB
A	12.7	12.7	12.7	16	20	25	32
B	65	65	65	77	93	105	124
C	60	60	60	73	80	85	103
Code	SBVL08	SBVL10	SBVL15	SBVL20	SBVL25	SBVL32	SBVL40

Size	2" 50NB
A	38
B	143
C	110
Code	SBVL50

