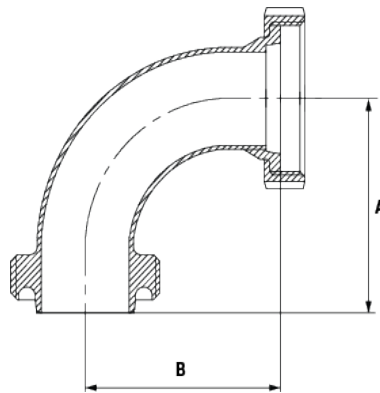


RJT Bend 90°

Features

- Short Bend (UNI)
- 320 Grit - satin finish
- RJT Hex Nut



Unit: mm (unless stated otherwise)

Dimensions

Size	1 1/2" 38.1	2" 50.8	2 1/2" 63.5	3" 76.2	4" 101.6
A	76.65	95.7	114.75	133.8	171.9
B	84.15	103.2	122.25	141.3	179.4
Code	STBMPWL4090	STBMPWL5090	STBMPWL6590	STBMPWL7590	STBMPWL10090

