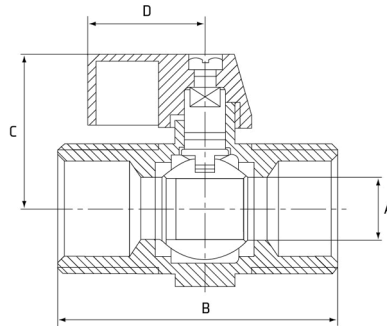


BSP Male Mini Ball Valve

Features

- BSP Threaded ends
- Reduced port
- Maximum pressure 1000PSI / 68Bar
- PTFE seat
- Temperature rating: -20°C to +160°C



Unit: mm (unless stated otherwise)

Dimensions

Size	1/4" 8NB	3/8" 10NB	1/2" 15NB	3/4" 20NB
A	8	8	9.2	12.5
B	48	48	58	70
C	27	27	29.5	32
D	22	22	22	22
Code	SMBVMM08	SMBVMM10	SMBVMM15	SMBVMM20

