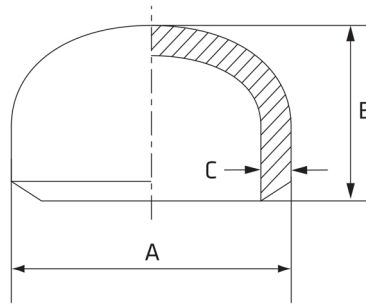


Schedule 10S Pipe End Cap

Features

- Schedule 10S
- Butt welds to Nominal Bore pipe sizes



Dimensions

Unit: mm (unless stated otherwise)

Size	1/2" 15NB	3/4" 20NB	1" 25NB	1 1/4" 32NB	1 1/2" 40NB	2" 50NB	2 1/2" 65NB
A	21.3	26.7	33.4	42.2	48.3	60.3	73
B	25.4	25.4	38	38.1	38.1	38	38.1
C	2.11	2.11	2.77	2.77	2.77	2.77	3.05
Code	SPEC15S10	SPEC20S10	SPEC25S10	SPEC32S10	SPEC40S10	SPEC50S10	SPEC65S10

Size	3" 80NB	4" 100NB	5" 125NB	6" 150NB	8" 200NB	10" 250NB	12" 300NB
A	88.9	114.3	141.3	168.3	219.1	273	323.8
B	50.8	64	76	79	101.6	127	152.4
C	3.05	3.05	3.4	3.4	3.76	4.19	4.57
Code	SPEC80S10	SPEC100S10	SPEC125S10	SPEC150S10	SPEC200S10	SPEC250S10	SPEC300S10

Size	14" 350NB	16" 400NB
A	355.6	406.4
B	165	178
C	4.78	4.78
Code	SPEC350S10	SPEC400S10

