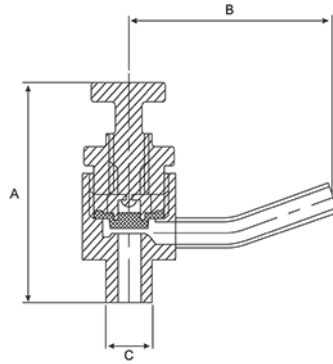


Diaphragm Sampling Valve

Features

- Butt weld connection for Outside Diameter tube
- Also available as Tri Clover ferrule connection
- Silicone seal maximum temperature rating 180°C



Unit: mm (unless stated otherwise)

Dimensions

Size	1/2" 12.7
A	59
B	55
C	12.7
Code	SSV12

