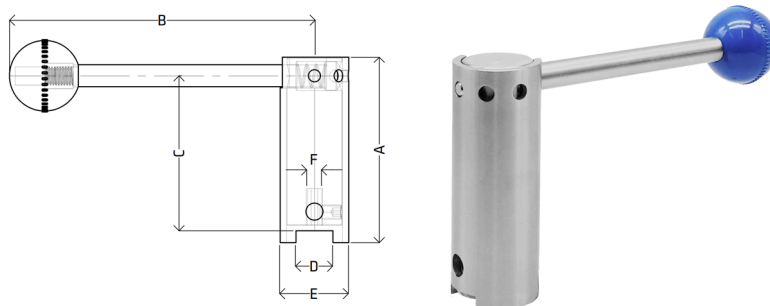


# 'E' Series Butterfly Valve Extension Handle

## Features

- Extension Handle
- Great for use on lagged/insulated pipe work



## Dimensions

Size	1"-1 1/2" 25.4-38.1
A	101.0
B	163.0
C	90.0
D	20.3
E	37.5
F	8.0
Code	SBFVHEX2540

Unit: mm (unless stated otherwise)

