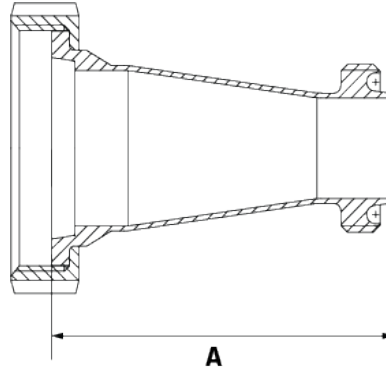


# RJT Concentric Reducer

## Features

- Female RJT Hex Nut/Liner is the larger end
- Male Part is always on the smaller end
- Hex Nut is 304 grade



## Dimensions

Unit: mm (unless stated otherwise)

Size	2"x1 1/2" 50.8x38.1	2 1/2"x2" 63.5x50.8	3"x2" 76.2x50.8	3"x2 1/2" 76.2x63.5	4"x2" 101.6x50.8	4"x2 1/2" 101.6x63.5	4"x3" 101.6x76.2
A	97	109	121	121	147	147	147
Code	STCRMPWL5040	STCRMPWL6550	STCRMPWL7550	STCRMPWL7565	STCRMPWL10050	STCRMPWL10065	STCRMPWL10075
Size	6"x3" 152.4x76.2	6"x4" 152.4x101.6					
A	200	200					
Code	STCRMPWL15075	STCRMPWL150100					

