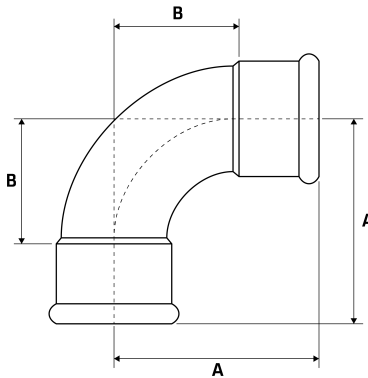


RapidPress Bend 90°

Features

- EPDM Seals
- Temperature rating: -20°C, 120°C
- Maximum operating pressure: 16 Bar (232psi)
- Gas Rated and RapidPress Extreme options available



Dimensions

Unit: mm (unless stated otherwise)

Size	76.1	88.9	108.0	15.0	22.0	28.0	35.0
A	150.0	174.0	215.0	38.0	47.0	56.0	68.0
B	95.0	114.0	140.0	18.0	26.0	33.0	42.0
Code	RPB47690	RPB48890	RPB410890	RPB1590	RPB2290	RPB2890	RPB3590

Size	42.0	54.0	76.1	88.9	108.0	168.3
A	80.0	100.0	160.0	182.0	220.0	386.0
B	50.0	64.0	105.0	122.0	145.0	273.0
Code	RPB4290	RPB5490	RPB7690	RPB8890	RPB10890	RPB16890

