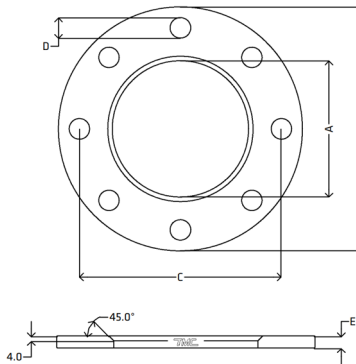


# Backing Ring Table D/E

AS2129 Bolt Pattern

## Features

- To suit Imperial Sized Tube and Schedule Pipe, with the use of a Neck Ring or Stub End
- Forged to ASTM A182
- All sharp edges have been chamfered by 0.5 mm at 45°
- Pressure Ratings are not available for this product
- Please note that these Backing Rings do not conform to AS2129, however they are suitable for use with AS2129 Flanges as the bolt pattern matches that standard
- Please also note, that some old stock is CAST (316) and Test Certificates are will not be available. New incoming stock will be Forged to ASTM A182 (F316L) which we can provide Test Certificates for. Refer to the grade to determine this



## Dimensions

Unit: mm (unless stated otherwise)

Size	2"	2 1/2"	3"	5"	6"	8"	12"
	50.8/50NB/DN50	63.5/65NB/DN65	76.2/80NB/DN80	127.0/125NB/DN125	152.4/150NB/DN150	203.2/200NB/DN200	304.8/300NB/DN300
<b>A</b>	66.0	78.5	94.5	148.0	174.5	225.5	331.0
<b>B</b>	150.0	165.0	185.0	255.0	280.0	335.0	455.0
<b>C</b>	114.0	127.0	146.0	210.0	235.0	292.0	406.0
<b>D</b>	4x18.0	4x18.0	4x18.0	8x18.0	8x22.0	8x22.0	12x26.0
<b>E</b>	9.0	10.0	10.0	12.0	13.0	13.0	13.0
<b>Thickness</b>	9.0	10.0	10.0	12.0	13.0	13.0	13.0
<b>Code</b>	SBR50DE	SBR65DE	SBR80DE	SBR125DE	SBR150E	SBR200E	SBR300E



Size	4" 101.6/100NB/DN100	10" 254.0/250NB/DN250
<b>A</b>	120.0	280.5
<b>B</b>	215.0	405.0
<b>C</b>	178.0	356.0
<b>D</b>	8x18.0	12x22.0
<b>E</b>	10.0	13.0
<b>Thickness</b>	10.0	13.0
<b>Code</b>	SBR100E	SBR250E

