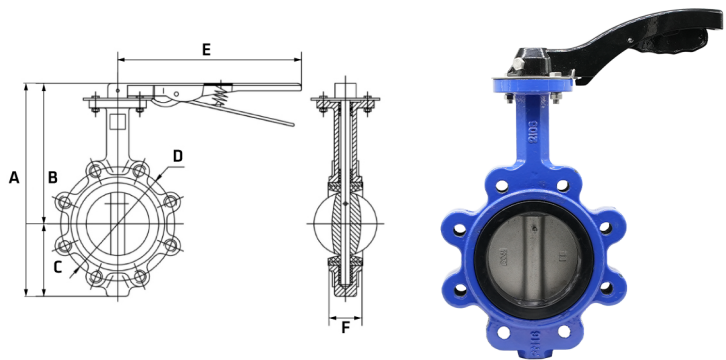


ANSI150 Lugged Butterfly Valve

Features

- ANSI150 threaded stud pattern
- Maximum nominal working pressure 230PSI / 16Bar
- EPDM seal temperature rating from -20°C to 120°C
- EPDM is suitable for hot water, steam, alcohols, coolants, acids and bases.
- Lockable Lever with 10 position stainless steel notch plate
- Additional information of Mounting Plate dimensions available on request



Dimensions

Unit: mm (unless stated otherwise)

Size	1 1/2" DN40	2" DN50	2 1/2" DN65	3" DN80	4" DN100	5" DN125	6" DN150
A	225	275	298	308	348	374	397
B	159	193	207	212	233	246	258
C	66	82	91	96	115	128	139
D	98.4	120.7	139.7	152.4	190.5	215.9	241.3
E	220	220	220	220	260	260	260
F	32	42	45	44.2	51.1	54.5	54.8
Code	CILBV40A150	CILBV50A150	CILBV65A150	CILBV80A150	CILBV100A150	CILBV125A150	CILBV150A150

Size	8" DN200
A	476
B	301
C	175
D	298.5
E	365
F	59.6
Code	CILBV200A150

