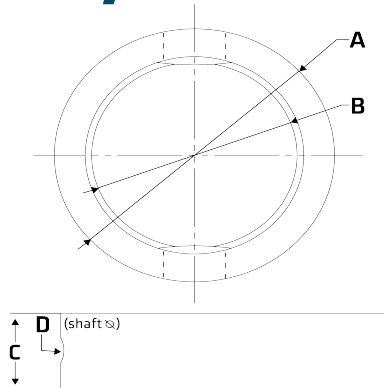


'E' Series Butterfly Valve FKM Seal

Features

- Maximum temperature 115°C



Dimensions

Unit: mm (unless stated otherwise)

Size	1" 25.4	1 1/2" 38.1	2" 50.8	2 1/2" 63.5	3" 76.2	4" 101.6	6" 152.4
A	36	50	65	76	88	118	175
B	19	21.85	22	25	28	29	35
C	9	9	10	10	11	13	17
Code	SBFVSE25V	SBFVSE40V	SBFVSE50V	SBFVSE65V	SBFVSE80V	SBFVSE100V	SBFVSE150V

