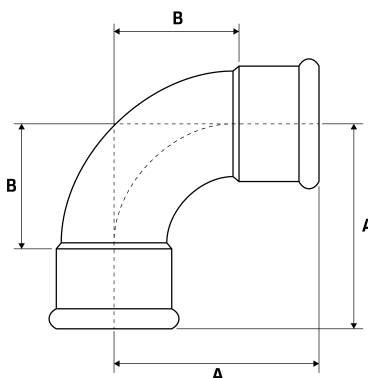


RapidPress Extreme Bend 90°

Features

- FKM Seals
- Temperature rating: -20°C, 220°C
- Maximum operating pressure: 16 Bar (232psi)
- EPDM and Gas Rated options available



Dimensions

Unit: mm (unless stated otherwise)

Size	15	22	28	35	42	54	76.1
A	38	47	56	68	80	100	160
B	18	26	33	42	50	64	105
Code	RPB1590V	RPB2290V	RPB2890V	RPB3590V	RPB4290V	RPB5490V	RPB7690V

Size	88.9	108	168.3
A	182	220	386
B	122	145	273
Code	RPB8890V	RPB10890V	RPB16890V

