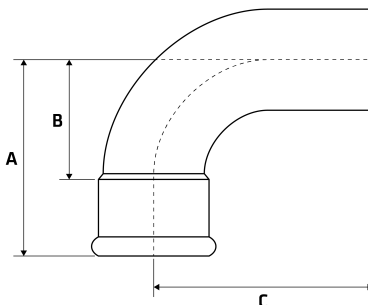


RapidPress Extreme Spigot Bend 90°

Features

- FKM Seals
- Temperature rating: -20°C, 220°C
- Maximum operating pressure: 16 Bar (232psi)
- EPDM and Gas Rated options available



Dimensions

Unit: mm (unless stated otherwise)

Size	15	22	28	35	42	54	76.1
A	38	47	56	68	80	100	160
B	18	26	33	42	50	64	105
C	48	57	64	82	101	120	180
Code	RPSB1590V	RPSB2290V	RPSB2890V	RPSB3590V	RPSB4290V	RPSB5490V	RPSB7690V
Size	88.9	108					
A	182	220					
B	122	145					
C	197	236					
Code	RPSB8890V	RPSB10890V					

