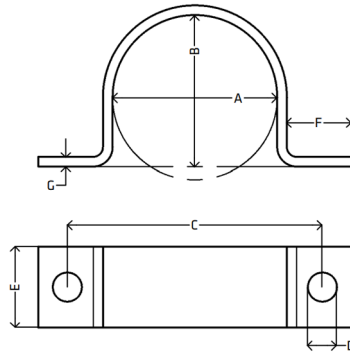


RapidPress 'U' Saddle

Features

- To suit RapidPress Tube
- Fasteners not included



Dimensions

Unit: mm (unless stated otherwise)

Size	22.0	28.0	35.0	42.0	54.0	76.1	88.9
A	22.0	28.0	35.0	42.16	54.0	76.2	88.9
B	17.0	24.0	28.0	38.0	49.0	72.0	84.0
C	47.1	57.0	65.0	72.0	84.0	106.0	119.0
D	9.01	9.0	9.0	9.0	9.0	9.0	9.0
E	25.0	25.0	25.0	25.0	25.0	25.0	25.0
F	20.0	20.0	20.0	20.0	20.0	20.0	20.0
G	2.0	3.0	3.0	3.0	3.0	3.0	3.0
Thickness	2.0	3.0	3.0	3.0	3.0	3.0	3.0
Code	RPUS22	RPUS28	RPUS35	RPUS42	RPUS54	RPUS76	RPUS88



CLAMPS

sales@themetalconpany.co.nz

Size	108.0
A	108.0
B	103.0
C	138.0
D	9.0
E	25.0
F	20.0
G	3.0
Thickness	3.0
Code	RPUS108

