

NOTES

MATERIAL: STAINLESS STEEL
 GRADE: 304 & 316L
 DIMENSIONAL STANDARD: AS1528.3 : 2001
 SURFACE FINISH: EXTERNAL=320 GRIT, INTERNAL=ROUGHNESS NOT EXCEEDING 1.0µm Ra
 MANUFACTURING PROCESS: MADE FROM MATERIAL CONFORMING WITH ASTM A240M OR ASTM A269
 UOM: MILLIMETERS (mm)

SUPPLIER TO REMOVE AND/OR DEBUR ALL SHARP EDGES
 ERRORS AND OMISSIONS EXCEPTED

FEATURES

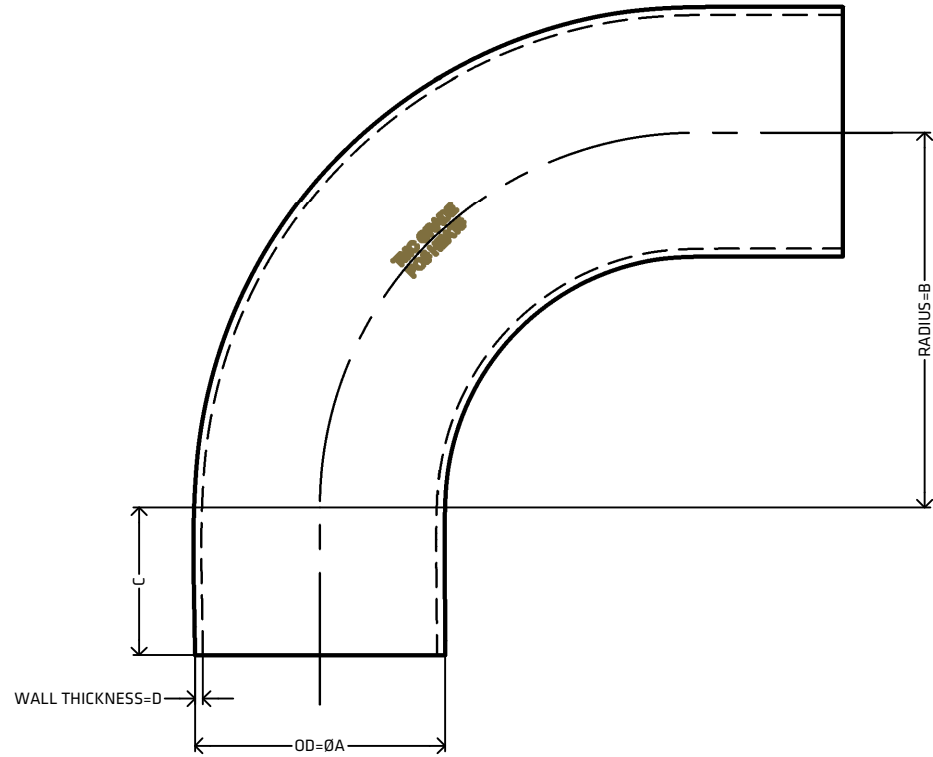
TO SUIT IMPERIAL SIZED TUBE
 LENGTH TOLERANCE = +0.50MM -0.00MM
 PERPENDICULARITY TOLERANCE = ASME B16.9
 PLEASE NOTE THAT STB41690M & STB61690M DO NOT MEET AS1528.3.
 AS THIS SIZE IS NOT COVERED IN THE STANDARD, THEY DO HOWEVER FOLLOW.
 SUIT WITH THE TREND FOUND IN THE STANDARD.

[VIEW ONLINE](#)



MEASUREMENTS

CODE	SIZE	INCH	GRADE	ØA	B	C	D
STB41290M	12.7	1/2"	304	12.7±0.06	19.1	30.0	1.6±0.16
STB41690M	15.88	5/8"	304	15.88±0.07	23.8	30.0	1.6±0.16
STB42090M	19.05	3/4"	304	19.05±0.09	28.6	30.0	1.6±0.16
STB42590M	25.4	1"	304	25.4±0.12	38.1	30.0	1.6±0.16
STB43090M	31.8	1 1/4"	304	31.8±0.15	47.7	30.0	1.6±0.16
STB44090M	38.1	1 1/2"	304	38.1±0.19	57.0	30.0	1.6±0.16
STB45090M	50.8	2"	304	50.8±0.25	76.2	30.0	1.6±0.16
STB46590M	63.5	2 1/2"	304	63.5±0.31	95.0	30.0	1.6±0.16
STB47590M	76.2	3"	304	76.2±0.38	114.2	30.0	1.6±0.16
STB410090M	101.6	4"	304	101.6±0.5	152.4	30.0	1.6±0.16
STB412590M	127.0	5"	304	127.0±0.63	190.5	40.0	1.6±0.16
STB415090M	152.4	6"	304	152.4±0.76	228.5	40.0	2.0±0.2
STB61290M	12.7	1/2"	316L	12.7±0.06	19.1	30.0	1.6±0.16
STB61690M	15.88	5/8"	316L	15.88±0.07	23.8	30.0	1.6±0.16
STB62090M	19.05	3/4"	316L	19.05±0.09	28.6	30.0	1.6±0.16
STB62590M	25.4	1"	316L	25.4±0.12	38.1	30.0	1.6±0.16
STB63090M	31.8	1 1/4"	316L	31.8±0.15	47.7	30.0	1.6±0.16
STB64090M	38.1	1 1/2"	316L	38.1±0.19	57.0	30.0	1.6±0.16
STB65090M	50.8	2"	316L	50.8±0.25	76.2	30.0	1.6±0.16
STB66590M	63.5	2 1/2"	316L	63.5±0.31	95.0	30.0	1.6±0.16
STB67590M	76.2	3"	316L	76.2±0.38	114.2	30.0	1.6±0.16
STB610090M	101.6	4"	316L	101.6±0.5	152.4	30.0	1.6±0.16
STB612590M	127.0	5"	316L	127.0±0.63	190.5	40.0	1.6±0.16
STB615090M	152.4	6"	316L	152.4±0.76	228.5	40.0	2.0±0.2



<p>THE METAL COMPANY TALK: 0508 304 316 VIEW: www.themetalcompany.co.nz TYPE: sales@themetalcompany.co.nz VISIT: 149 Alabama Rd, Blenheim 7201, NZ</p>	FILE	TMC-STB90M-SPEC-SHEET.DWG	CODE	STB90M
	AUTHOR	CALEB G. - 11/08/23	STATUS	COMPLETE
	CHECKED	BRENTLY F. - 11/08/23	SHEET	A4
	REV	1.0	SCALE	NOT TO SCALE
			DESC	TUBE BEND 90° STANDARD (MEDIUM) RADIUS AS1528.3